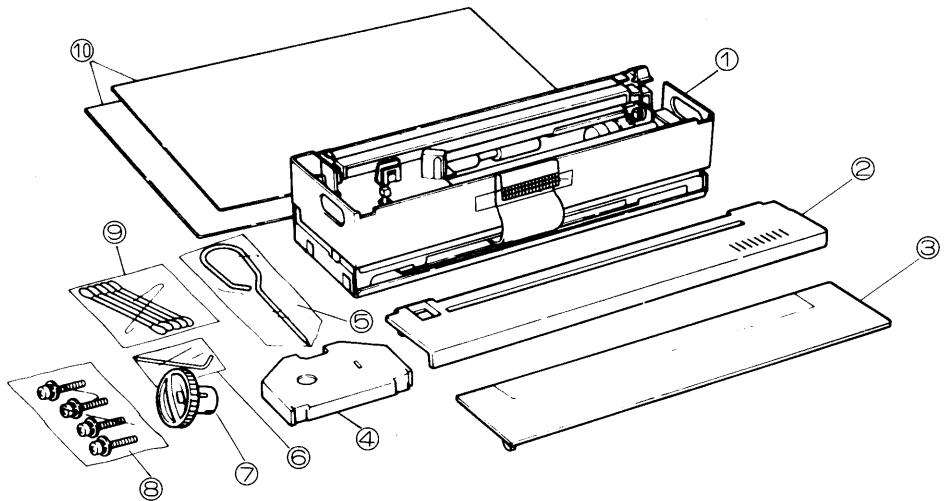


# INSTALLATION GUIDE OF THE PRINTER (CE-510P)

## Checking Parts and Accessories of the CE-510P

The following parts and accessories should be included with the CE-510P. Check that nothing is missing when unpacking the unit.

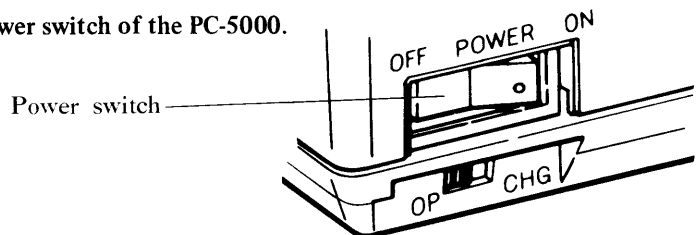
- |                    |                         |  |
|--------------------|-------------------------|--|
| 1. Printer unit    | 5. Phillips screwdriver | 9. Cotton swabs (5)<br>(for cleaning the printing head)              |
| 2. Battery cover   | 6. Allen wrench         | 10. Sample paper. (Thermotransfer<br>paper and heat sensitive paper) |
| 3. Printer cover   | 7. Knob                 |  |
| 4. Ribbon cassette | 8. Screws (4)           |  |



## Installation Procedure

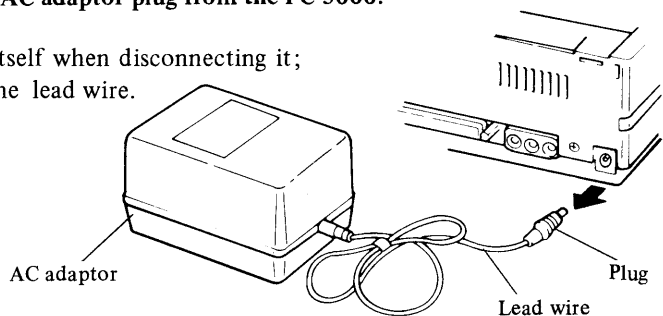
Use the following procedure to mount the CE-510P onto the PC-5000.

1. ○ Turn off the power switch of the PC-5000.

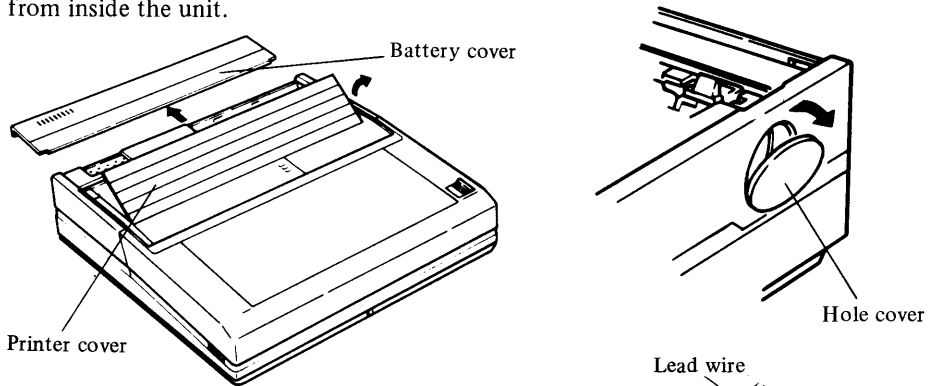


- Disconnect the AC adaptor plug from the PC-5000.

Hold the plug itself when disconnecting it;  
never pull on the lead wire.

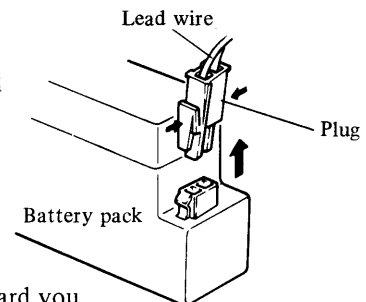


2. Remove the battery cover, the printer cover, and the hole cover for mounting the knob from the PC-5000; then remove the printer dummy (a sponge-like object) from inside the unit.

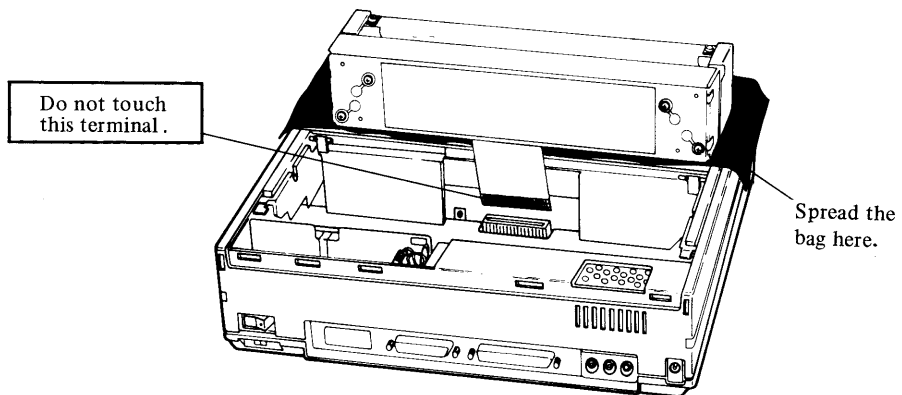


3. Pull up the battery pack from the PC-5000 and then disconnect the plug from the battery pack.

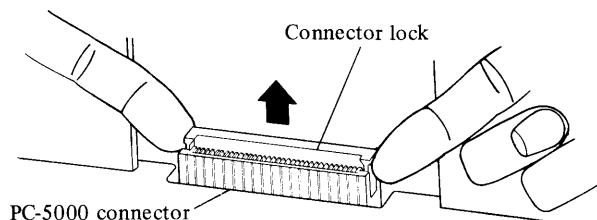
When doing this, take hold of the plug itself; never pull on the lead wire.



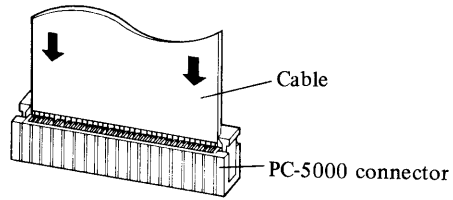
4. Turn the PC-5000 around so that the back is toward you. Remove the tape which fastens the printer unit's connection cable and set the printer unit on top of the PC-5000 as shown in the illustration. In order to avoid scratching the PC-5000, spread the black packing bag beneath the printer.



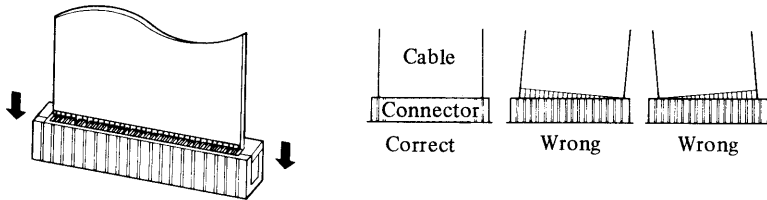
5. Pull up the PC-5000 connector lock. (Pull up on both ends of the connector lock with your fingertips.)



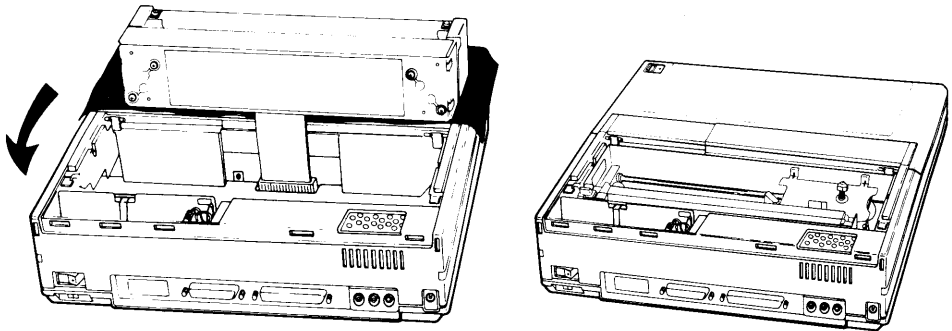
6. Insert the printer unit's connection cable straight into the PC-5000 connector as far as it will go. (The break in the white cover should just about come to the edge of the connector opening.)



7. Confirm that the cable is inserted straight and holding the connector lock between your fingertips, push it down until it is locked securely.

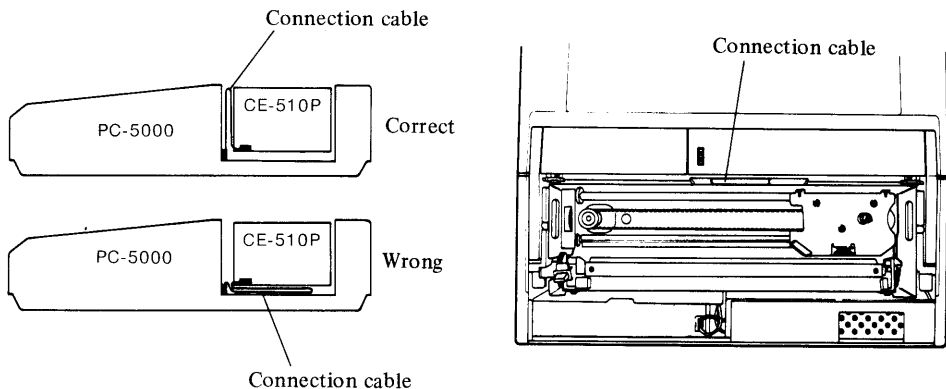


8. Raise the printer unit and slowly fit it onto the PC-5000.

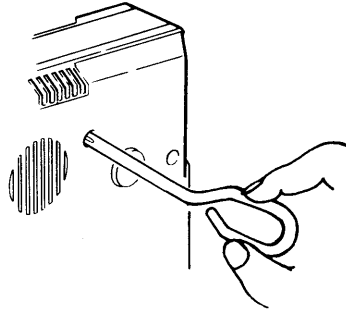


At this time, store the connection cable as indicated in the illustration.

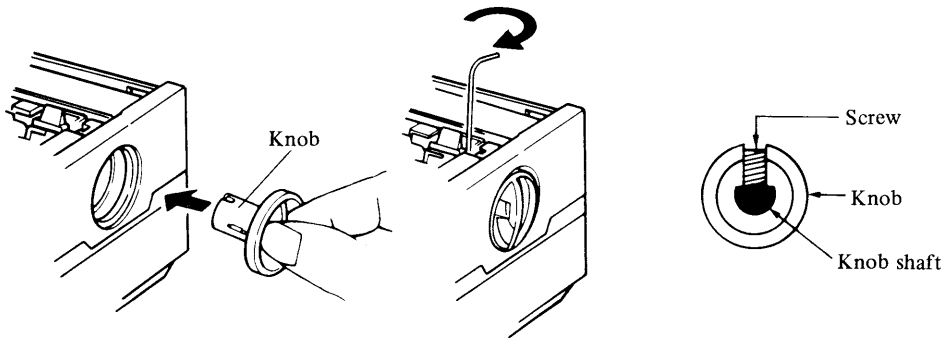
Do not store it beneath the printer as indicated in the illustration; doing so would cause damage.



9. Using the screwdriver and four screws included with the CE-510P, secure the printer from the bottom of the PC-5000.

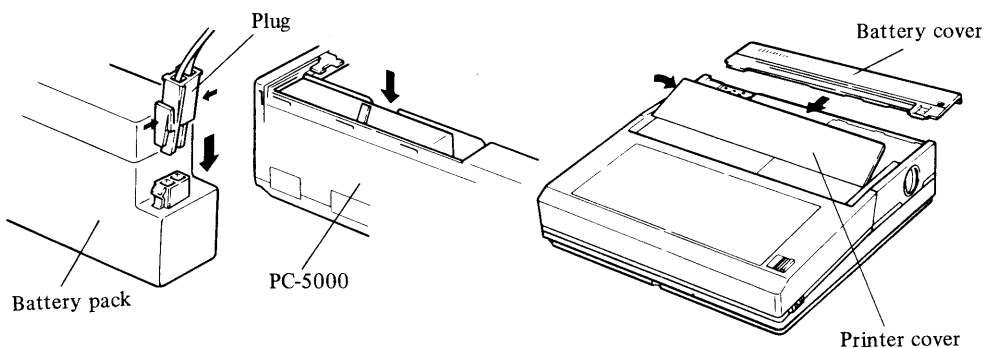


10. Use the supplied Allen wrench to loosen the screw in the knob, fit the knob onto the knob shaft, and then retighten the screw. Be sure that the screw contacts the flat part of the shaft (far right figure).



11. Connect the battery pack to the plug and fit it into the PC-5000, then mount the battery cover and printed cover included with the PC-5000.

(The power switch should be off when the battery pack is connected.)



This completes the installation of the printer. For instructions on how to use the PC-5000 together with the printer, refer to the PC-5000's "User's Guide."